

Performance Compliance Report

PCR207

Non-Transferable

Aluminium System Distributor

Alsycos
P O Box 15463
WESTMEAD
3608

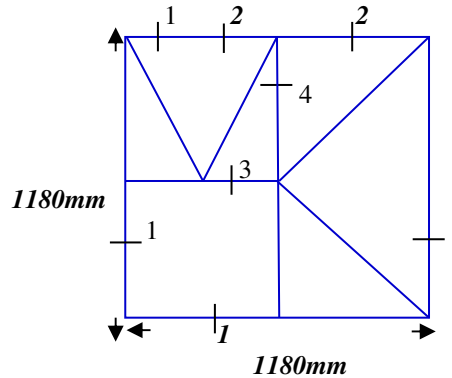
Membership No.: A5377
Vat. No.: 4590230738
CK No.: 2006/012421/07

Method of Glazing

8mm Bead(AEA/TSC42/B68)
Santoprene Gasket (AHGK/YG)
Solid Wedge 002SW(AHGK/002SW)
6mm Toughened Glass

Glass Types

Elevation & Dimensions of Test Unit



Country Representative



South African Fenestration & Insulation Energy Rating Authority

Extrusions used in manufacture

Detail #	Reference #	Description
1	AEA/TSC42/FE	Frame
2	AEA/TSC42/ST	Sash
3	AEA/TSC42/MS	STD Mullion
4	+ AEA/TSC42/M83	Mullion 83mm
Throughout	AEA/TSC42/B68 + AHGK/001BB	Glazing Bead
Throughout	AHGK/002SW	Wedge Gasket
Throughout	AHGK/YG	Weather Seal

Test Results

Negative Pressure	2500Pa – 1,3mm deflection
Positive Pressure	2500Pa – 1,0mm deflection
Water Penetration	No leakage at 500Pa
Structural Pressure	3750Pa
Air infiltration	0,01 l/s/m ²

AAAMSA Standard Achieved

A4

Comment

When manufactured to recommendations stipulated by the system provider, the **Thermeco 42 Casement** is able to pass performance criteria **A4** as laid down in AAAMSA's General Specification for aluminium and glass products.

Each individual manufacturer must obtain appropriate AAAMSA Performance Test Certificate to confirm his ability to conform to this Performance Compliance Report. C3281.

This document is to be read in conjunction with the appropriate technical and assembly documentation supplied by Messrs. Rebcon Engineering (Pty)Ltd

Issued: 09 February 2018

EXECUTIVE DIRECTOR



AAAMSA Group

Reg. No. 1974/000006/08
Association NPC
VAT No. 4900141153

Tel
(011) 805-5002

Fax
(011) 805-5033

Incorporating:



AAAMSA Fenestration



Aluminium Stockists and Distributors Association



Expanded Polystyrene Association of Southern Africa



South African Building Interior Systems Association



South African Glass and Glazing Association



SA Shower Enclosure Manufacturers Association



Skylight Association of Southern Africa



Thermal Panel Manufacturers Association