

Performance Compliance Report

PCR223

Non-Transferable



Reg. No. 1974/000006/08
Association NPC
VAT No. 4900141153

+27(0)11 805-5002
elize@aaamsa.co.za



South African Glass and
Glazing Association



Fenestration
Association



Aluminium Stockists and
Distributors Association



South African Building
Interior Systems Association



Skylight Association of
Southern Africa



SA Shower Enclosure
Manufacturers Association



Thermal Panel
Manufacturers Association



Expanded Polystyrene
Association of Southern Africa



South African Fenestration
& Insulation Energy Rating
Authority

Aluminium System Distributor

Alsysco
P O Box 15463
WESTMEAD
3608

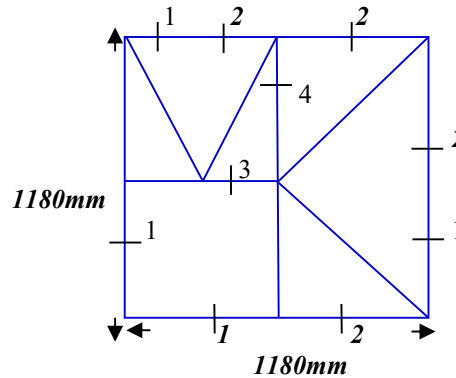
Membership No.: A5377
Vat. No.: 4590230738
CK No.: 2006/012421/07

Method of Glazing

6 to 8mm Bead (AEA/TL31/B4638)
Santoprene Gasket (AHGK/YG)
Solid Wedge 002SW(AHGK/002SW)
6mm Toughened Glass

Glass Types

Elevation & Dimensions of Test Unit



Extrusions used in manufacture

Detail #	Reference #	Description
1	AEA/TL31/FE	Frame Equal Leg
2	AEA/TL31/FE	Sash Tubular
3	AEA/TL31/MS	STD Mullion
4	AEA/TL31/RM83	Mullion 83mm
Throughout	AHGK/001BB + AHGK/GDB	Glazing Bead
Throughout	AHGK/002SW	Wedge Gasket
Throughout	AHGK/YG	Weather Seal

Test Results

Negative Pressure	2000Pa – 0,32mm deflection
Positive Pressure	2000Pa – 0,975mm deflection
Water Penetration	No leakage at 400Pa
Structural Pressure	3000Pa
Air infiltration	0,027 l/s/m ²

AAAMSA Standard Achieved

A3

Comment

When manufactured to recommendations stipulated by the system provider, the **Thermeco Lite 31 Casement** is able to pass performance criteria **A3** as laid down in AAAMSA's General Specification for aluminium and glass products.

Each individual manufacturer must obtain appropriate AAAMSA Performance Test Certificate to confirm his ability to conform to this Performance Compliance Report. D1644.

This document is to be read in conjunction with the appropriate technical and assembly documentation supplied by Messrs. Celecta Glass Aluminium

EXECUTIVE DIRECTOR

Issued: 25 January 2022

Directors: RG Hampson (President), BC Risseuw (Vice-President), MR Constable, CA Fenton, RD Huisman, NM Kruger,
MG Myers, WW Moolman, F Nel, K Parker, MC Volker
Treasurer: RP Curle

Executive Director: JJ Heyneke, BScWoodSC (Stell), MSAGI-Candidate

1st Floor, Block4, CMA Conference Centre, No. 1, 2nd Road, Midrand, P O Box 7861, Halfway House, 1685
www.aaamsa.co.za